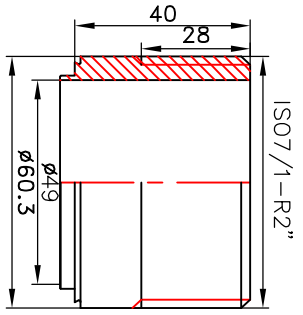


D1-D2-H3-H4  
R520



ITEM	PART NO.	DESCRIPTION	A
------	----------	-------------	---

1	658360	BL120-40D(R520-D1-D2-H3-H4)	108
---	--------	-----------------------------	-----

DESIGN DATA

WORK PRESSURE	3.0MPa	TEST PRESSURE	4.5MPa
DESIGN TEMPT	-196/+225	VOLUM	
WEIGHT		HE AREA	
DRAWING NO.	658360	DATE	150521
CUSTOMER	外贸	DESINGER	
INSPECTOR		APPROVAL	
MODEL	BL120-40D	 <b>宝得换热</b>	